



GIPIEMME



GIPIEMME

HIGH
PERFORMANCE
WHEELS
2016

INDICE / INDEX



MANTA 4
ROAD / CHRONO / TRIATHLON
PISTA/TRACK

CARBON H6.0 5
ROAD / CHRONO / TRIATHLON

CARBON H6.0 SPEED 6
ROAD / CHRONO / CYCLOCROSS /
TRIATHLON

EQUIPE H5.5 7
ROAD / CHRONO / TRIATHLON

GPM C47 V-brake /DISC 8
ROAD / CHRONO / CYCLOCROSS /
TRIATHLON / GPM



CARBON H4.0 LIGHT 9
ROAD / CHRONO / CYCLOCROSS /
TRIATHLON / GPM

CARBON H4.0 SPEED 10
ROAD / CHRONO / CYCLOCROSS /
TRIATHLON / GPM

EQUIPE H4.0 Alucarbon 11
ROAD / CHRONO / CYCLOCROSS /
TRIATHLON / GPM

GPM C32 V-brake /DISC 12
ROAD / CHRONO / CYCLOCROSS /
TRIATHLON / GPM

CARBON H2.5 13
ROAD / CHRONO / CYCLOCROSS /
TRIATHLON / GPM



TECNO 1.55 Ultralight 14
ROAD / CHRONO / CYCLOCROSS /
TRIATHLON / GPM

KRONO Ultralight 15
ROAD / CHRONO / CYCLOCROSS /
TRIATHLON / GPM

TECNO 716 Light / Disc 16
ROAD / CHRONO / TRIATHLON

EQUIPE 716 / 716 Disc 17
ROAD / CHRONO / TRIATHLON

EQUIPE 1.55 18
ROAD / TRIATHLON / GPM



SHADOW road disc 28" 19
ROAD / CYCLOCROSS / TRIATHLON
/ GPM

TECNO 020 20
ROAD

PISTA H60 CARBON 21
TRACK

K28 PISTA 22
TRACK

FIXED H55 23
ROAD / TRACK / BIKE POLO / FREESTYLE

INDICE / INDEX



PISTA A40 Fixed 24
ROAD / BIKE POLO

PISTA 030 / PISTA 030 Fixed 25
ROAD / TRACK / BIKE POLO / FREESTYLE

CARBON G40 27,5" PLUS 26
XC / XM / MARATHON / X-TERRA / TRAIL
/ ENDURO / FREESTYLE / DOWNHILL

CARBON G30 PLUS 27,5" /29" 27
XC / XM / MARATHON / X-TERRA / TRAIL
/ ENDURO / FREESTYLE / DOWNHILL

CARBON T584 MTB Ultralight 650B 28
XC / XM / MARATHON / X-TERRA / TRAIL
/ ENDURO



T29ER MTB ULTRALIGHT 29" 29
XC / XM / MARATHON / X-TERRA / TRAIL
/ ENDURO

MAG 40 PLUS 27,5" 30
XC / XM / MARATHON / X-TERRA / TRAIL
/ ENDURO / FREESTYLE / DOWNHILL

MAGMA ULTRALIGHT 27,5" 29" 31
XC / XM / MARATHON / X-TERRA / TRAIL
/ ENDURO

MAG 37 PLUS 27,5" 29" 32
XC / XM / MARATHON / X-TERRA / TRAIL
/ ENDURO / FREESTYLE / DOWNHILL

KENYA SLE 26" 27,5" 29" 33
XC / XM / MARATHON / TRAIL



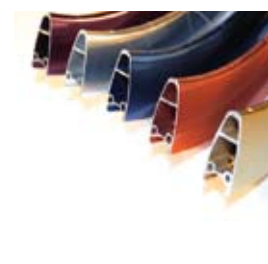
MAGNUS 80 26" 34
XC / XM / MARATHON / TRAIL

MAGNUS 80 26" EQUIPE 35
XC / XM / MARATHON / TRAIL (29")

T2-40S / T2-40S Disc 36

T2-30S 37

EQUIPE ROCCIA 26" 27,5" 29" 38



T2-24L V-BRAKE 26" 28" 39

T2-24L DISC 26" 29" 40

CERCHI / RIMS 41

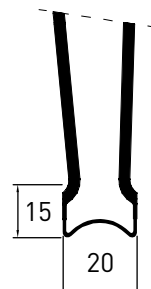
ACCESSORI / ACCESSORIES 47

MANTA Tubolare

ROAD / CHRONO / TRIATHLON
PISTA / TRACK



PROFILE



MODELLO	Tubolare 28" 700 C		
ETRTO	632-20 din		
CRONO	O.L.D. 130	VERSIONI	Campagn.-Shimano-Sram
PISTA	O.L.D. 120	VERSIONI	Pista
CERCHIO	100% fibra di carbonio foro valvola 6.5 mm		
RAGGI	N/P		
NIPPLES	N/P		
MOZZI	Alluminio Ergal su cuscinetti		
BLOCCAGGI	Alluminio forgiato peso 55gr.		
PESO	Post. 1225gr. (+/-7%)		

MODEL	Tubular 28" 700 C		
ETRTO	632-20 din		
CHRONO	O.L.D. 130	VERSIONS	Campagn.-Shimano-Sram
TRACK	O.L.D. 120	VERSIONS	Track
RIM	100% carbon fiber valve hole 6.5 mm		
SPOKES	N/P		
NIPPLES	N/P		
HUB	Aluminium Ergal with sealed bearings		
Q.R.	Forged alloy weight 55gr.		
WEIGHT	Rear 1225gr. (+/- 7%)		

CARBON H6.0 Tubolare

ROAD / CHRONO / TRIATHLON

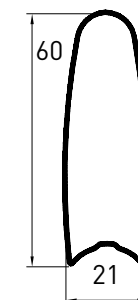
CERTIFICATIONS

Autorizzato U.C.I. - Authorized from U.C.I.
Certificato a norme UNI.CE.EN 14781
Certified to norm UNI.CE.EN 14781



OPTIONAL
Freno a disco/Disc Brake

PROFILE



MODELLO	Tubolare 28" 700 C		
ETRTO	632-21 din	O.L.D.	V-BRAKE 100/130 DISC 100/135-142
VERSIONI	Campagn.-Shimano-Sram	FINITURA	Fibra di carbonio
CERCHIO	Monoscocca 100% fibra di carbonio alto 60 mm - foro valvola 6.5 mm		
RAGGI	SAPIM sfinati Inox 2/1,5 Vbrake n.20/20-Disc n.24/24		
NIPPLES	Autobloccanti ABS L 13 in Ergal con rondelle		
MOZZI	Versione GPMCHlight, alluminio forgiato, cassetta Ergal su cuscinetti		
BLOCCAGGI	Alluminio forgiato peso al paio 110gr.		
PESO	Ant. 631gr. - Post. 800gr. - Tot. 1431gr. (+/- 7% senza bloccaggi)		

MODEL	Tubular 28" 700 C		
ETRTO	632-21 din	O.L.D.	V-brake 100/130 Disc 100/135-142
VERSIONS	Campagn.-Shimano-Sram	FINISH	Carbon fiber
RIM	100% carbon fiber monocoque height 60 mm - valve hole 6.5 mm		
SPOKES	SAPIM stainless spokes 2/1.5mm V-brake n.20/20 Discn.24/24		
NIPPLES	Self-locking ABS L 13 Ergal with washers		
HUB	GPMCHlight, forged aluminium with Ergal cassette on sealed bearings		
Q.R.	Forged aluminium - weight 110gr.		
WEIGHT	Front 631gr. - Rear 800gr. Tot. 1431gr. (+/- 7% without quick release)		

CARBON H6.0 SPEED Alucarbon Copertoncino

ROAD / CHRONO / CYCLOCROSS / TRIATHLON

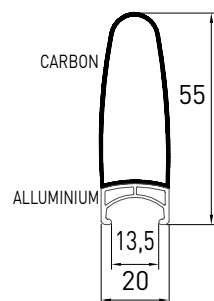
CERTIFICATIONS

Autorizzato U.C.I. - Authorized from U.C.I.
 Certificato a norme UNI.CE.EN 14781
 Certified to norm UNI.CE.EN 14781
 Certificato T.Ü.V. n°MEC02060
 T.Ü.V. certified n°MEC02060



OPTIONAL
Freno a disco/Disc Brake

PROFILE



MODELLO	Copertoncino 28" 700 C		
ETRT0	622-13,5 din	O.L.D.	V-BRAKE 100/130 DISC 100/135-142
VERSIONI	Campagn.-Shimano-Sram	FINITURA	Fibra di carbonio/alluminio
CERCHIO	Carbonio strutturale e alu 6082-T6 saldato, forato a CNC foro valvola 6.5 mm		
RAGGI	SAPIM sfinati Inox 2/1,5 Vbrake n.20/20-Disc n.24/24		
NIPPLES	Autobloccanti ABS L 13 in Ergal con rondelle		
MOZZI	Versione GPMCHlight, alluminio forgiato, cassetta Ergal su cuscinetti		
BLOCCAGGI	Alluminio forgiato peso al paio 110gr.		
PESO	Ant. 757gr. - Post. 928gr. - Tot. 1685gr. (+/- 7% senza bloccaggi)		

MODEL	Clincher 28" 700 C		
ETRT0	622-13,5 din	O.L.D.	V-brake 100/130 Disc 100/135-142
VERSIONS	Campagn.-Shimano-Sram	FINISH	Carbon fibre/alloy
RIM	Structural carbon fiber with alu 6082-T6 welded, CNC holes, valve hole 6.5 mm		
SPOKES	SAPIM stainless spokes 2/1.5mm V-brake n.20/20 Discn.24/24		
NIPPLES	Self-locking ABS L 13 Ergal with washers		
HUB	GPMCHlight forged aluminium with Ergal cassette on sealed bearings		
Q.R.	Forged aluminium - weight 110gr.		
WEIGHT	Front 757gr. - Rear 928gr. Tot. 1685gr. (+/- 7% without quick release)		

EQUIPE H5.5 Alucarbon Copertoncino

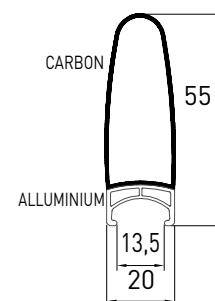
ROAD / CHRONO / TRIATHLON

CERTIFICATIONS

Autorizzato U.C.I. - Authorized from U.C.I.
 Certificato a norme UNI.CE.EN 14781
 Certified to norm UNI.CE.EN 14781
 Certificato T.Ü.V. n°MEC02060
 T.Ü.V. certified n°MEC02060



PROFILE



MODELLO	Copertoncino 28" 700 C		
ETRT0	622-13,5 din	O.L.D.	V-BRAKE 100/130 DISC 100/135-142
VERSIONI	Campagn.-Shimano-Sram	FINITURA	Fibra di carbonio/alluminio
CERCHIO	Carbonio strutturale e alu 6082-T6 saldato, forato a CNC foro valvola 6.5 mm		
RAGGI	SAPIM Inox Vbrake n.20/20-Disc n.24/24		
NIPPLES	Autobloccanti ABS L 13 in Ergal con rondelle		
MOZZI	Versione GPMJ, alluminio forgiato, cassetta Ergal su cuscinetti		
BLOCCAGGI	Alluminio forgiato peso al paio 110gr.		
PESO	Ant. 895gr. - Post. 1095gr. - Tot. 1990gr. (+/- 7% senza bloccaggi)		

MODEL	Clincher 28" 700 C		
ETRT0	622-13,5 din	O.L.D.	V-brake 100/130 Disc 100/135-142
VERSIONS	Campagn.-Shimano-Sram	FINISH	Carbon fibre/alloy
RIM	Structural carbon fiber with alu 6082-T6 welded, CNC holes, valve hole 6.5 mm		
SPOKES	SAPIM stainless spokes V-brake n.20/20 Discn.24/24		
NIPPLES	Self-locking ABS L 13 Ergal with washers		
HUB	GPMJ forged aluminium with Ergal cassette on sealed bearings		
Q.R.	Forged aluminium - weight 110gr.		
WEIGHT	Front 895gr. - Rear 1095gr. Tot. 1990gr. (+/- 7% without quick release)		

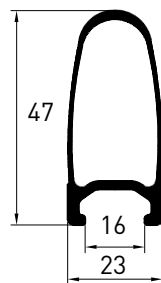
GPM C47 V-brake /DISC Copertoncino

ROAD / CHRONO / CYCLOCROSS / TRIATHLON / GPM



OPTIONAL
Freno a disco/Disc Brake

PROFILE



MODELLO	Copertoncino 28" 700 C		
ETRTO	622-16 din	O.L.D.	V-BRAKE 100/130 DISC 100/135-142
VERSIONI	Campagn.-Shimano-Sram	FINITURA	Fibra di carbonio
CERCHIO	Monoscocca 100% fibra di carbonio alto 30 mm - foro valvola 6.5 mm		
RAGGI	SAPIM aero sfinati Inox 2/1,5 Vbrake n.20/20-Disc n.24/24		
NIPPLES	Autobloccanti ABS L 13 in Ergal con rondelle		
MOZZI	Versione GPMCHlight, alluminio forgiato, cassetta Ergal su cuscinetti		
BLOCCAGGI	Alluminio forgiato peso al paio 110 gr.		
PESO	Ant. 737gr. - Post. 886gr. - Tot. 1623gr. (+/- 7% senza bloccaggi)		

MODEL	Clincher 28" 700 C		
ETRTO	622-16 din	O.L.D.	V-brake 100/130 Disc 100/135-142
VERSIONS	Campagn.-Shimano-Sram	FINISH	Carbon fibre
RIM	100% carbon fiber monocoque height 30 mm - valve hole 6.5 mm		
SPOKES	SAPIM stainless aero spokes 2/1.5mm V-brake n.20/20 Discn.24/24		
NIPPLES	Self-locking ABS L 13 Ergal with washers		
HUB	GPMCHlight forged aluminium with Ergal cassette on sealed bearings		
Q.R.	Forged aluminium - weight 110 gr.		
WEIGHT	Front 737gr. - Rear 886gr. Tot. 1623gr. (+/- 7% without quick release)		

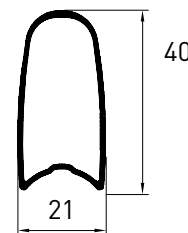
CARBON H4.0 LIGHT Tubolare

ROAD / CHRONO / CYCLOCROSS / TRIATHLON / GPM



OPTIONAL
Freno a disco/Disc Brake

PROFILE



MODELLO	Tubolare 28" 700 C		
ETRTO	632-21 din	O.L.D.	V-BRAKE 100/130 DISC 100/135-142
VERSIONI	Campagn.-Shimano-Sram	FINITURA	Fibra di carbonio
CERCHIO	Monoscocca 100% fibra di carbonio alto 40 mm - foro valvola 6.5 mm		
RAGGI	SAPIM sfinati Inox 2/1,5 Vbrake n.20/20-Disc n.24/24		
NIPPLES	Autobloccanti ABS L 13 in Ergal con rondelle		
MOZZI	Versione GPMCHlight, alluminio forgiato, cassetta Ergal su cuscinetti		
BLOCCAGGI	Alluminio forgiato peso al paio 110gr.		
PESO	Ant. 540gr. - Post. 700gr. - Tot. 1240gr. (+/- 7% senza bloccaggi)		

MODEL	Tubular 28" 700 C		
ETRTO	632-21 din	O.L.D.	V-brake 100/130 Disc 100/135-142
VERSIONS	Campagn.-Shimano-Sram	FINISH	Carbon fiber
RIM	100% carbon fiber monocoque height 40 mm - valve hole 6.5 mm		
SPOKES	SAPIM stainless spokes 2/1.5mm V-brake n.20/20 Discn.24/24		
NIPPLES	Self-locking ABS L 13 Ergal with washers		
HUB	GPMCHlight forged aluminium with Ergal cassette on sealed bearings		
Q.R.	Forged aluminium - weight 110gr.		
WEIGHT	Front 540gr. - Rear 700gr. Tot. 1240gr. (+/- 7% without quick release)		

CARBON H4.0 SPEED Alucarbon Copertoncino

ROAD / CHRONO / CYCLOCROSS / TRIATHLON / GPM

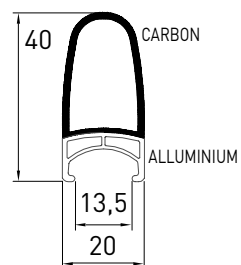
CERTIFICATIONS

Autorizzato U.C.I. - Authorized from U.C.I.
 Certificato a norme UNI.CE.EN 14781
 Certified to norm UNI.CE.EN 14781



OPTIONAL
Freno a disco/Disc Brake

PROFILE



MODELLO	Copertoncino 28" 700 C		
ETRTO	622-13,5 din	O.L.D.	V-BRAKE 100/130 DISC 100/135-142
VERSIONI	Campagn.-Shimano-Sram	FINITURA	Fibra di carbonio/alluminio
CERCHIO	Carbonio strutturale e alluminio 6082-T6 saldato, forato CNC, foro valvola 6.5 mm		
RAGGI	SAPIM sfinati Inox 2/1,5 Vbrake n.20/20-Disc n.24/24		
NIPPLES	Autobloccanti ABS L 13 in Ergal con rondelle		
MOZZI	Versione GPMCHlight, alluminio forgiato, cassetta Ergal su cuscinetti		
BLOCCAGGI	Alluminio forgiato peso al paio 110gr.		
PESO	Ant. 704gr. - Post. 873gr. Tot. 1577gr. (+/- 7% senza bloccaggi)		

MODEL	Clincher 28" 700 C		
ETRTO	622-13,5 din	O.L.D.	V-brake 100/130 Disc 100/135-142
VERSIONS	Campagn.-Shimano-Sram	FINISH	Carbon fibre/alloy
RIM	Structural carbon fiber with aluminium 6082-T6 welded, CNC holes, valve hole 6.5 mm		
SPOKES	SAPIM laser stainless spokes 2/1.5mm V-brake n.20/20 Discn.24/24		
NIPPLES	Self-locking ABS L 13 Ergal with washers		
HUB	GPMCHlight forged aluminium with Ergal cassette on sealed bearings		
Q.R.	Forged aluminium - weight 110gr.		
WEIGHT	Front 704gr. - Rear 873gr. Tot. 1577gr. (+/- 7% without quick release)		

EQUIPE H4.0 Alucarbon Copertoncino

ROAD / CHRONO / CYCLOCROSS / TRIATHLON / GPM

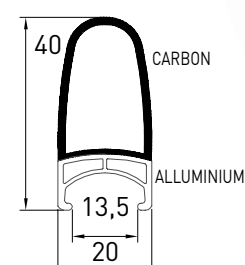
CERTIFICATIONS

Autorizzato U.C.I. - Authorized from U.C.I.
 Certificato a norme UNI.CE.EN 14781
 Certified to norm UNI.CE.EN 14781



OPTIONAL
Freno a disco/Disc Brake

PROFILE



MODELLO	Copertoncino 28" 700 C		
ETRTO	622-13,5 din	O.L.D.	V-BRAKE 100/130 DISC 100/135-142
VERSIONI	Campagn.-Shimano-Sram	FINITURA	Fibra di carbonio/alluminio
CERCHIO	Carbonio strutturale e alu 6082-T6 saldato, forato a CNC foro valvola 6.5 mm		
RAGGI	SAPIM Inox Vbrake n.20/20-Disc n.24/24		
NIPPLES	Autobloccanti ABS L 13 in Ergal con rondelle		
MOZZI	Versione GPMJ, alluminio forgiato, cassetta Ergal su cuscinetti		
BLOCCAGGI	Alluminio forgiato peso al paio 110gr.		
PESO	Ant. 808gr. - Post. 985gr. - Tot. 1793gr. (+/- 7% senza bloccaggi)		

MODEL	Clincher 28" 700 C		
ETRTO	622-13,5 din	O.L.D.	V-brake 100/130 Disc 100/135-142
VERSIONS	Campagn.-Shimano-Sram	FINISH	Carbon fibre/alloy
RIM	Structural carbon fiber with alu 6082-T6 welded, CNC holes, valve hole 6.5 mm		
SPOKES	SAPIM stainless spokes V-brake n.20/20 Discn.24/24		
NIPPLES	Self-locking ABS L 13 Ergal with washers		
HUB	GPMJ forged aluminium with Ergal cassette on sealed bearings		
Q.R.	Forged aluminium - weight 110gr.		
WEIGHT	Front 808gr. - Rear 985gr. - Tot. 1793gr. (+/- 7% without quick release)		

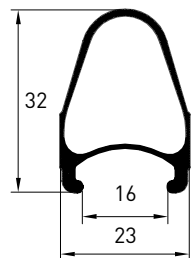
GPM C32 V-brake /DISC Copertoncino

ROAD / CHRONO / CYCLOCROSS / TRIATHLON / GPM



OPTIONAL
Freno a disco/Disc Brake

PROFILE



MODELLO	Copertoncino 28" 700 C		
ETRTO	622-16 din	O.L.D.	V-BRAKE 100/130 DISC 100/135-142
VERSIONI	Campagn.-Shimano-Sram	FINITURA	Fibra di carbonio
CERCHIO	Monoscocca 100% fibra di carbonio alto 30 mm - foro valvola 6,5 mm		
RAGGI	SAPIM aero sfinati Inox 2/1,5 Vbrake n.20/20-Disc n.24/24		
NIPPLES	Autobloccanti ABS L 13 in Ergal con rondelle		
MOZZI	Versione GPMCHlight, alluminio forgiato, cassetta Ergal su cuscinetti		
BLOCCAGGI	Alluminio forgiato peso al paio 110gr.		
PESO	Ant. 704gr. - Post. 873gr. Tot. 1577gr. (+/- 7% senza bloccaggi)		

MODEL	Clincher 28" 700 C		
ETRTO	622-16 din	O.L.D.	V-brake 100/130 Disc 100/135-142
VERSIONS	Campagn.-Shimano-Sram	FINISH	Carbon fibre
RIM	100% carbon fibre monocoque height 30 mm - valve hole 6.5 mm		
SPOKES	SAPIM stainless aero spokes 2/1.5mm V-brake n.20/20 Discn.24/24		
NIPPLES	Self-locking ABS L 13 Ergal with washers		
HUB	GPMCHlight forged aluminium with Ergal cassette on sealed bearings		
Q.R.	Forged aluminium - weight 110gr.		
WEIGHT	Front 704gr. - Rear 873gr. Tot. 1577gr. (+/- 7% without quick release)		

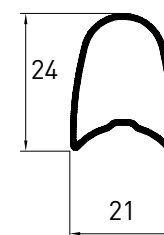
CARBON H2.5 Tubolare

ROAD / CHRONO / CYCLOCROSS / TRIATHLON / GPM



OPTIONAL
Freno a disco/Disc Brake

PROFILE



MODELLO	Tubolare 28" 700C		
ETRTO	632-21 din	O.L.D.	V-BRAKE 100/130 DISC 100/135-142
VERSIONI	Campagn.-Shimano-Sram	FINITURA	Fibra di carbonio
CERCHIO	Monoscocca 100% fibra di carbonio alto 24.9mm - foro valvola 6,5mm		
RAGGI	SAPIM sfinati Inox 2/1,5 n.24/24		
NIPPLES	Autobloccanti ABS L 13 in Ergal con rondelle		
MOZZI	Versione GMCHlight, Alluminio forgiato, Cassetta Ergal su cuscinetti		
BLOCCAGGI	Alluminio forgiato peso al paio 110gr.		
PESO	PESI Ant. 535gr. - Post. 636gr. - Tot. 1170gr. (+/- 7% senza bloccaggi)		

MODEL	Tubular 28" 700C		
ETRTO	632-21 din	O.L.D.	V-brake 100/130 Disc 100/135-142
VERSIONS	Campagn.-Shimano-Sram	FINISH	Carbon fibre
RIM	100% carbon fiber monocoque height 24.9 mm - valve 6,5 mm		
SPOKES	SAPIM stainless spokes 2/1.5mm n.24/24		
NIPPLES	Self-locking ABS L 13 Ergal with washers		
HUB	GPMCHlight Forged aluminium - Ergal cassette on seal bearings		
Q.R.	Forged aluminium - weight 110gr.		
WEIGHT	Front 534gr. - Rear 636gr. - Tot. 1170gr. (+/- 7% without quick release)		

TECNO 1.55 Ultralight

ROAD / CHRONO / CYCLOCROSS / TRIATHLON / GPM

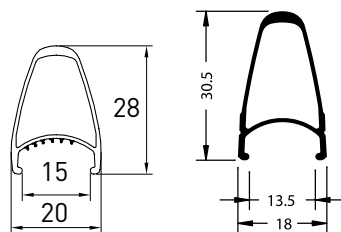
CERTIFICATIONS

Authorized from U.C.I.
 Certified to norm UNI.CE.EN 14781
 ▲ HARD CARBON ANODIZED



OPTIONAL
 Freno a disco/Disc Brake

PROFILE



DISC

V-BRAKE

MODELLO	Copertoncino 28" 700 C		
ETRTO	622-13,5 din	O.L.D.	V-BRAKE 100/130 DISC 100/135-142
VERSIONI	Campagn.-Shimano-Sram	FINITURA	anodizzazione carbon dura
CERCHIO	Alluminio 6082-T6 saldato, forato a CNC, foro valvola 6.5 mm		
RAGGI	SAPIM sfinati Inox 2/1,5 Vbrake n.20/20-Disc n.24/24		
NIPPLES	Autobloccanti ABS L 13 in Ergal con rondelle		
MOZZI	Versione GPMCHlight, alluminio forgiato, cassetta Ergal su cuscinetti		
BLOCCAGGI	Alluminio forgiato peso al paio 110gr.		
PESO	Ant. 652gr. - Post. 809gr. Tot. 1461gr. (+/- 5% senza bloccaggi)		

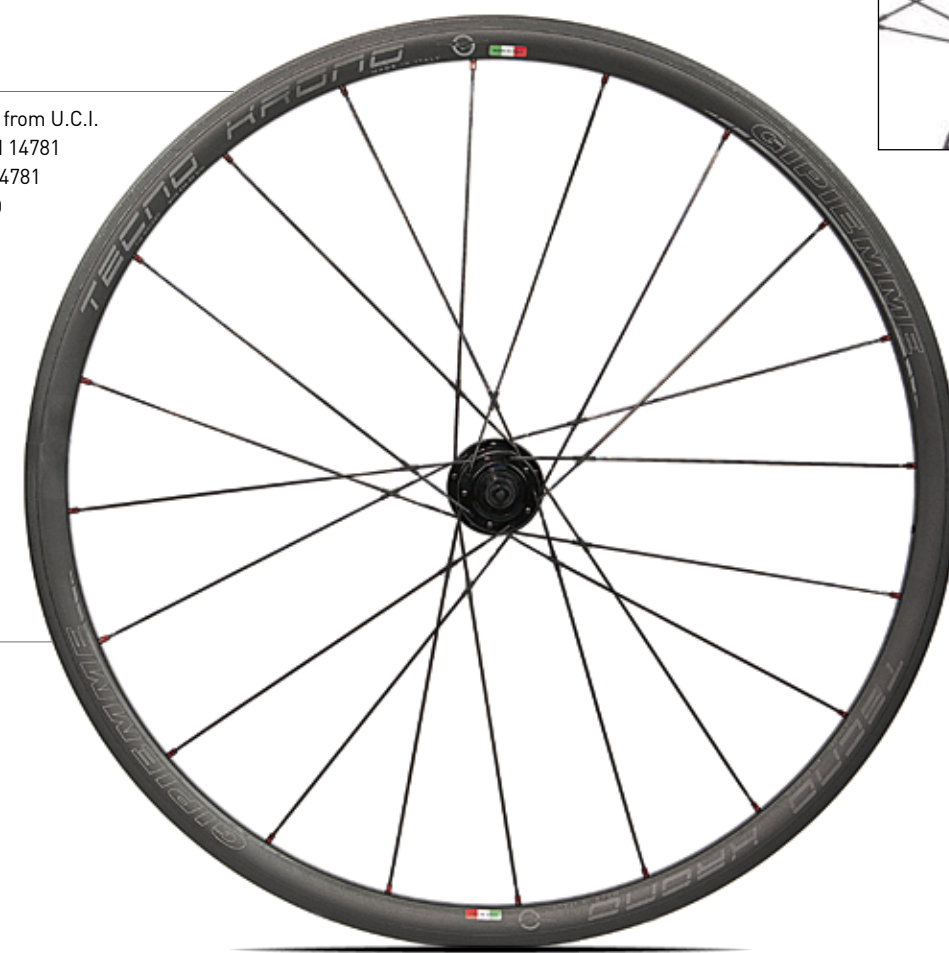
MODEL	Clincher 28" 700 C		
ETRTO	622-13,5 din	O.L.D.	V-brake 100/130 Disc 100/135-142
VERSIONS	Campagn.-Shimano-Sram	FINISH	Hard Carbon Anodized
RIM	Aluminium welded 6082-T6, CNC holes, valve hole 6.5 mm		
SPOKES	SAPIM laser stainless spokes 2/1.5mm V-brake n.20/20 Disc.24/24		
NIPPLES	Self-locking ABS L 13 Ergal with washers		
HUB	GPMCHlight forged aluminium with Ergal cassette on sealed bearings		
Q.R.	Forged aluminium - weight 110gr.		
WEIGHT	Front 652gr. - Rear 809gr. Tot. 1461gr. (+/- 5% without quick release)		

KRONO Ultralight

ROAD / CHRONO / CYCLOCROSS / TRIATHLON / GPM

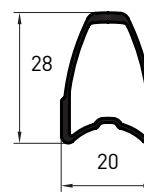
CERTIFICATIONS

Autorizzato U.C.I. - Authorized from U.C.I.
 Certificato a norme UNI.CE.EN 14781
 Certified to norm UNI.CE.EN 14781
 ▲ HARD CARBON ANODIZED



OPTIONAL
 Freno a disco/Disc Brake

PROFILE



MODELLO	Copertoncino 28" 700 C		
ETRTO	632-20 din	O.L.D.	V-BRAKE 100/130 DISC 100/135-142
VERSIONI	Campagn.-Shimano-Sram	FINITURA	anodizzazione carbon dura
CERCHIO	Alluminio 6082-T6 saldato, foro valvola 6,5mm		
RAGGI	SAPIM sfinati Inox 2/1,5 Vbrake n.20/20-Disc n.24/24		
NIPPLES	Autobloccanti ABS L 13 in Ergal con rondelle		
MOZZI	Versione GPMCHlight, Alluminio forgiato, Cassetta Ergal su cuscinetti		
BLOCCAGGI	Alluminio forgiato peso al paio 110gr.		
PESO	Ant. 620gr. - Post. 800gr. - Tot. 1420gr. (+/- 5% senza bloccaggi)		

MODEL	Clincher 28" 700 C		
ETRTO	632-20 din	O.L.D.	V-brake 100/130 Disc 100/135-142
VERSIONS	Campagn.-Shimano-Sram	FINISH	Hard Carbon Anodized
RIM	Aluminium weld 6082-T6, valve 6,5 mm		
SPOKES	SAPIM laser stainless spokes 2/1.5mm V-brake n.20/20 Disc.24/24		
NIPPLES	Self-locking ABS L 13 Ergal with washers		
HUB	GPMCHlight, Forged aluminium - Ergal cassette on sealed bearings		
Q.R.	Forged aluminium - weight 110gr.		
WEIGHT	Front 620gr. - Rear 800gr. - Tot. 1420gr. (+/- 5% without quick release)		

TECNO 716 Light / TECNO 716 Disc

ROAD / CHRONO / TRIATHLON

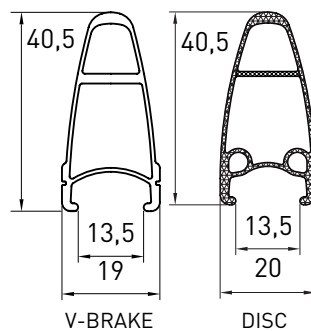
CERTIFICATIONS

Autorizzato U.C.I. - Authorized from U.C.I.
 Certificato a norme UNI.CE.EN 14781
 Certified to norm UNI.CE.EN 14781
 ▲ HARD CARBON ANODIZED



OPTIONAL
 Freno a disco/Disc Brake

PROFILE



MODELLO	Copertoncino 28" 700 C		
ETRTO	622-13,5 din	O.L.D.	V-BRAKE 100/130 DISC 100/135-142
VERSIONI	Campagn.-Shimano-Sram	FINITURA	anodizzazione carbon dura
CERCHIO	Trecamere, alto 40mm alluminio 6082-T6 saldato, Forato a CNC 3D, foro valvola 6,5mm		
RAGGI	SAPIM sfinati Inox 2/1,5 Vbrake n.20/20-Disc: n.24/24		
NIPPLES	Autobloccanti ABS L 13 in Ergal con rondelle		
MOZZI	Versione GPMCHlight, alluminio forgiato, cassetta Ergal su cuscinetti		
BLOCCAGGI	Alluminio forgiato peso al paio 110gr.		
PESO	Ant. 795gr. Post 955gr. - Tot. 1750gr. (+/-5% senza bloccaggi)		

MODEL	Clincher 28" 700 C		
ETRTO	622-13,5 din	O.L.D.	V-brake 100/130 Disc 100/135-142
VERSIONS	Campagn.-Shimano-Sram	FINISH	Hard Carbon Anodized
RIM	Three-wall 40mm high. Aluminium weld 6082-T6, CNC holes 3D valve 6,5 mm		
SPOKES	SAPIM laser stainless spokes 2/1.5mm V-brake n.20/20 Disc:n.24/24		
NIPPLES	Self-locking ABS L 13 Ergal with washers		
HUB	GPMCHlight forged aluminium with Ergal cassette on sealed bearings		
Q.R.	Forged aluminium - weight 110gr.		
WEIGHT	Front 795gr. - Rear 955gr. Tot. 1750gr. (+/- 5% with out quick release)		

EQUIPE 716 / EQUIPE 716 Disc

ROAD / CHRONO / TRIATHLON

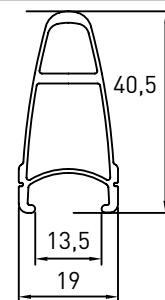
CERTIFICATIONS

Autorizzato U.C.I. - Authorized from U.C.I.
 Certificato a norme UNI.CE.EN 14781
 Certified to norm UNI.CE.EN 14781



OPTIONAL
 □ Bianco/White
 ■ Nero/Black

PROFILE



MODELLO	Copertoncino 28" 700 C		
ETRTO	622-13,5 din	O.L.D.	100/130
VERSIONI	Campagn.-Shimano-Sram	FINITURA	Verniciato Nero Bianco con etichette
CERCHIO	Trecamere, alto 40mm alluminio 6082-T6 Spinato e saldato		
RAGGI	Sapim Inox piatti Ant. T2 (8x2) - Post. T2 (10x2)		
NIPPLES	Autobloccanti ABS L12		
MOZZI	Alluminio forgiato, Cassetta Ergal su cuscinetti		
BLOCCAGGI	Alluminio forgiato peso al paio 110gr.		
PESO	Ant. 940gr. Post 1158gr. - Tot. 2049gr. (+/-5% senza bloccaggi)		

MODEL	Clincher 28" 700 C		
ETRTO	622-13,5 din	O.L.D.	100/130
VERSIONS	Campagn.-Shimano-Sram	FINISH	Black / white paint with sticker
RIM	Three-wall 40mm high. Aluminium pin-welded 6082-T6		
SPOKES	Sapim front T2(8x2) Rear (10x2)		
NIPPLES	Self-Locking ABS L12		
HUB	Forged aluminium - Ergal cassette on sealed bearings		
Q.R.	Forged aluminium - weight 110gr.		
WEIGHT	Front 940gr. - Rear 1158gr. Tot. 2049gr. (+/- 5% with out quick release)		

EQUIPE 1.55

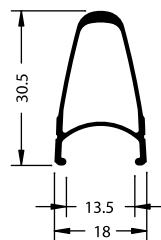
ROAD / TRIATHLON / GPM

CERTIFICATIONS

Autorizzato U.C.I. - Authorized from U.C.I.
 Certificato a norme UNI.CE.EN 14781
 Certified to norm UNI.CE.EN 14781



PROFILE



MODELLO	Copertoncino 28" 700 C		
ETRTO	622-14,8 din	O.L.D.	100/130
VERSIONI	Campagn.-Shimano-Sram	FINITURA	Verniciata bianca/nera
CERCHIO	Alluminio 6005-T6, Foro valvola 8.5 mm		
RAGGI	Inox piatti neri		
NIPPLES	Autobloccanti ABS L 12		
MOZZI	GPMJ alluminio cassetta Ergal su cuscinetti		
BLOCCAGGI	Alluminio		
PESO	Ant. 744gr. - Post. 921gr. Tot. 1665gr. (+/- 5% senza bloccaggi)		

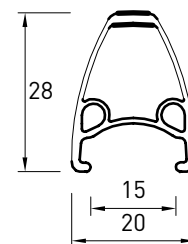
MODEL	Clincher 28" 700 C		
ETRTO	622-14,8 din	O.L.D.	100/130
VERSIONS	Campagn.-Shimano-Sram	FINISH	White/black paint
RIM	Aluminium 6005-T6, Valve hole 8.5 mm		
SPOKES	Inox Aero black		
NIPPLES	Self-locking ABS L12		
HUB	GPMJ forged aluminium with Ergal cassette on sealed bearings		
Q.R.	Aluminium		
WEIGHT	Front 744gr. - Rear 921gr. Tot. 1665gr. (+/- 5% without quick release)		

SHADOW road disc 28"

ROAD / TRIATHLON / CYCLOCROSS / GPM



PROFILE

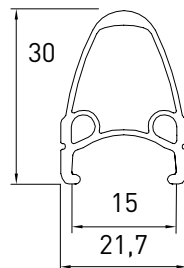


MODELLO	Copertoncino 28" 700 C		
ETRTO	28" 622 - 15 din	O.L.D.	100/135-142
VERSIONI	Shimano/Campagnolo/Sram	FINITURA	nero con etichette
CERCHIO	Alluminio 6005-T6, 28mm		
RAGGI	Sapim 24 raggi INOX neri		
NIPPLES	Autobloccanti ABS L 12		
MOZZI	Alluminio Forgiato, cassetta e perno in Acciaio su cuscinetti. Disco 6 fori.		
BLOCCAGGI	Alluminio forgiato peso al paio 110gr.		
PESO	Ant. 866gr. - Post. 1003gr. - Tot. 1869gr. (+/- 5% senza bloccaggi)		

MODEL	Clincher 28" 700 C		
ETRTO	28"622 - 15 din	O.L.D.	100/135-142
VERSIONS	Shimano/Campagnolo/Sram	FINISH	black paint w/sticker
RIM	Aluminium welded 6005-T6		
SPOKES	Sapim 24/24 stainless steel black round spokes		
NIPPLES	Self-locking ABS L12		
HUB	Forged Alloy, steel cassette and axel disc 6h.		
Q.R.	Forged aluminium - weight 110gr.		
WEIGHT	Front 866gr. - Rear 1003gr. - Tot. 1869gr. (+/- 5% without quick release)		

TECNO 020

ROAD

**PROFILE**

MODELLO	Copertoncino 28" 700 C		
ETRTO	622-15 din	O.L.D.	100/130
VERSIONI	Campagn./Shimano/Sram	FINITURA	Verniciata nera
CERCHIO	Alluminio 6005-T6, Foro valvola 8,5mm		
RAGGI	16/20 Inox rotondi		
NIPPLES	Autobloccanti ABS L 12		
MOZZI	GPMJ alluminio cassetta Ergal su cuscinetti		
BLOCCAGGI	Alluminio		
PESO	Ant. 850 gr. - Post. 1010 gr. Tot. 1860 gr. (+/- 5% senza bloccaggi)		

MODEL	Clincher 28" 700 C		
ETRTO	622-15 din	O.L.D.	100/130
VERSIONS	Shimano/Campagnolo/Sram	FINISH	black paint
RIM	Aluminium 6005-T6, Valve hole 8,5mm		
SPOKES	16/20 stainless steel round spokes		
NIPPLES	Self-locking ABS L12		
HUB	GPMJ forged aluminium with Ergal cassette on sealed bearings		
Q.R.	Aluminium		
WEIGHT	Front 850 gr. - Rear 1010 gr. Tot. 1860 gr. (+/- 5% without quick release)		

PISTA H60 CARBON Tubolare

TRACK

**PROFILE**

MODELLO	Tubolare 28" 700 C		
ETRTO	632-21 din	O.L.D.	100/120
VERSIONI	Pista/Pista	FINITURA	Fibra di carbonio
CERCHIO	Monoscocca 100% fibra di carbonio - foro valvola 6.5 mm		
RAGGI	Sapim Aero Piatti nr. 20 Inox Piatti		
NIPPLES	Autobloccanti ABS L 13 con rondelle		
MOZZI	Alluminio forgiato, su cuscinetti		
BLOCCAGGI	N/P		
PESO	Ant. 862gr. - Post. 912gr. - Tot. 1774gr. (+/- 7% senza bloccaggi)		

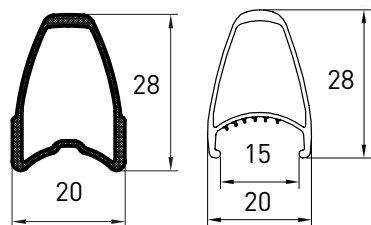
MODEL	Tubular 28" 700 C		
ETRTO	632-21 din	O.L.D.	100/120
VERSIONS	Track T/T	FINISH	Carbon fiber
RIM	100% carbon fiber monocoque valve hole 6.5 mm		
SPOKES	Sapim Aero nr.20 stainless steel		
NIPPLES	Self-locking ABS L 13 with washers		
HUB	Forged aluminium with sealed bearings		
Q.R.	N/P		
WEIGHT	Front 862gr. - Rear 912gr. Tot. 1774gr. (+/- 7%)		

K28 PISTA Tubolare / Copertoncino

TRACK



PROFILE



MODELLO	Tubolare 28" 700 C / Copertoncino		
ETRTO	632-20 din / 622-15 din	O.L.D.	100/120
VERSIONI	Pista/Pista	FINITURA	Anodizzata nera/con laser
CERCHIO	Alluminio 6082-T6 saldato, forato a CNC, foro valvola 6.5 mm		
RAGGI	Sapim Aero Piatti nr. 20 Inox Piatti		
NIPPLES	Autobloccanti ABS L 13 con rondelle		
MOZZI	Alluminio forgiato, su cuscinetti		
BLOCCAGGI	N/P		
PESO	Ant. 913gr. - Post. 972gr. Tot. 1885gr. (+/- 7% senza bloccaggi)		

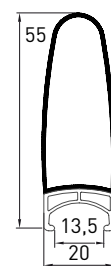
MODEL	Tubular 28" 700 C / Clincher		
ETRTO	632-20 din / 622-15 din	O.L.D.	100/120
VERSIONS	Track T/T	FINISH	Anodized black with laser
RIM	Aluminium welded 6082-T6, CNC holes, valve hole 6.5 mm		
SPOKES	Sapim Aero nr.20 stainless steel		
NIPPLES	Self-locking ABS L 13 with washers		
HUB	Forged aluminium with sealed bearings		
Q.R.	N/P		
WEIGHT	Front 913gr. - Rear 972gr. Tot. 1885gr. (+/- 7%)		

FIXED H55

ROAD / TRACK / BIKE POLO / FREESTYLE



PROFILE



MODELLO	Copertoncino 28" 700 C		
ETRTO	622-13,5 din	O.L.D.	100/130
VERSIONI	Campagn./Shimano/Sram	FINITURA	Fibra di carbonio/alluminio
CERCHIO	Carbonio strutturale e alu 6082-T6 saldato, forato a CNC foro valvola 6.5 mm		
RAGGI	20 Inox		
NIPPLES	Autobloccanti ABS L 13 in Ergal con rondelle		
MOZZI	Alluminio forgiato, su cuscinetti PISTA/RUOTALIBERA		
BLOCCAGGI	N/P		
PESO	Ant. 1249gr. - Post. 1283gr. Tot. 2532gr. (+/- 7% senza bloccaggi)		

MODEL	Clincher 28" 700 C		
ETRTO	622-13,5	O.L.D.	100/130
VERSIONS	Campagn./Shimano/Sram	FINISH	Carbon fiber /alloy
RIM	Structural carbon fiber with alu 6082-T6 welded, CNC holes, valve hole 6.5 mm		
SPOKES	20 stainless steel		
NIPPLES	Self-locking ABS L 13 Ergal with washers		
HUB	Forged aluminum with sealed bearings TRAK/FREEWHEELS		
Q.R.	N/P		
WEIGHT	Front 1249gr. - Rear 1283gr. Tot. 2532gr. (+/- 7%)		

PISTA A40 Fixed

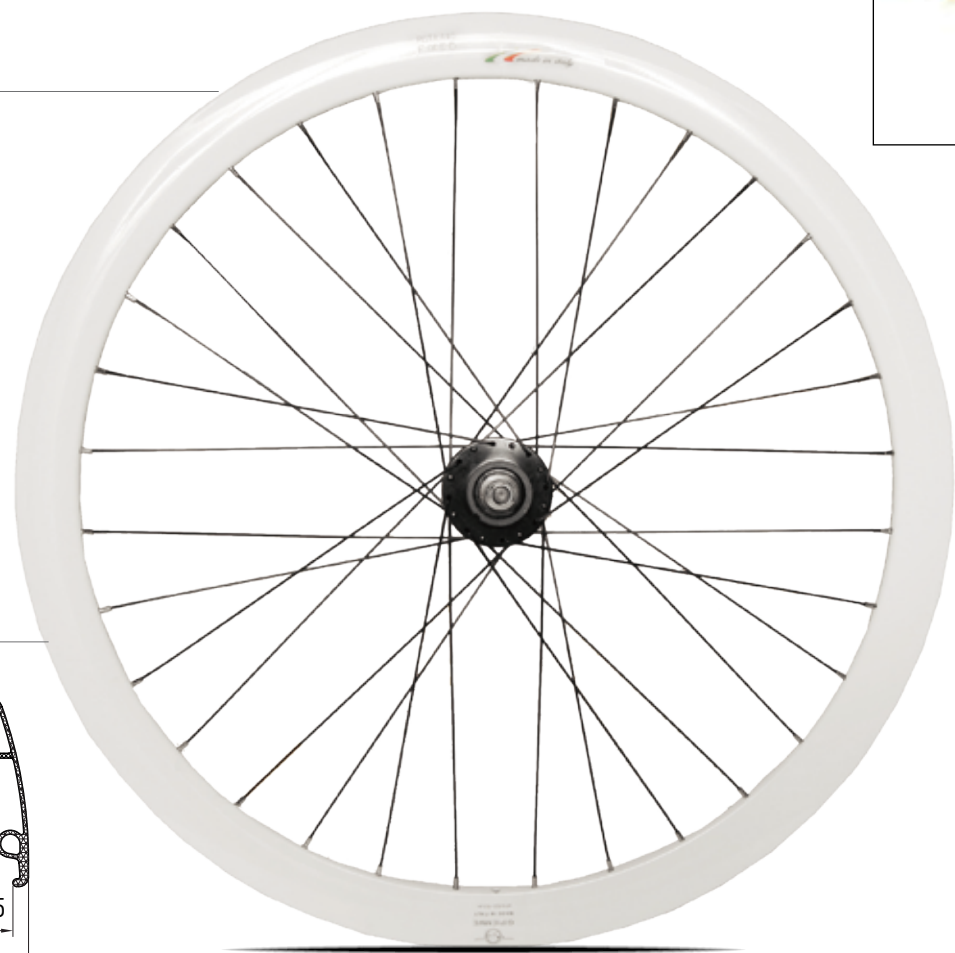
ROAD / BIKE POLO

Altri modelli sono disponibili nel sito web / Other model are available on the web site: www.gipiemme.com

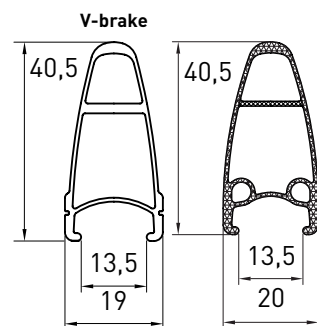
COLORI / COLORS

OPTIONAL V-BRAKE

- Nero/Black
- Verde/Green
- Bianco/White
- Silver satinato/Satin silver
- Blu/Blue
- Silver Brill
- Rosso/Red
- Arancio/Orange

OPTIONAL
POLISH / ANOD.

PROFILE



MODELLO	Copertoncino 28" 700 C		
ETRTO	622-13,5 din	O.L.D.	100/120
VERSIONI	P/RL		
CERCHIO	Alluminio 6005-T6, foro valvola 7 mm		
RAGGI	32 black.		
NIPPLES	L 13 mm		
MOZZI	Alluminio forgiato, su cuscinetti		
BLOCCAGGI	N/P		
PESO	Ant. 1240 gr. - Post. 1290 gr. Tot. 2530 gr. (+/- 5%)		

MODEL	Clincher 28" 700 C		
ETRTO	622-13,5 din	O.L.D.	100/120
VERSIONS	T/FW		
RIM	Aluminium 6005-T6, valve hole 7 mm		
SPOKES	32 steel black		
NIPPLES	L 13 mm		
HUB	Forged aluminium with sealed bearings		
Q.R.	N/P		
WEIGHT	Front 1240 gr. - Rear 1290 gr. Tot. 2530 gr. (+/- 5%)		

PISTA 030 / PISTA FIXED

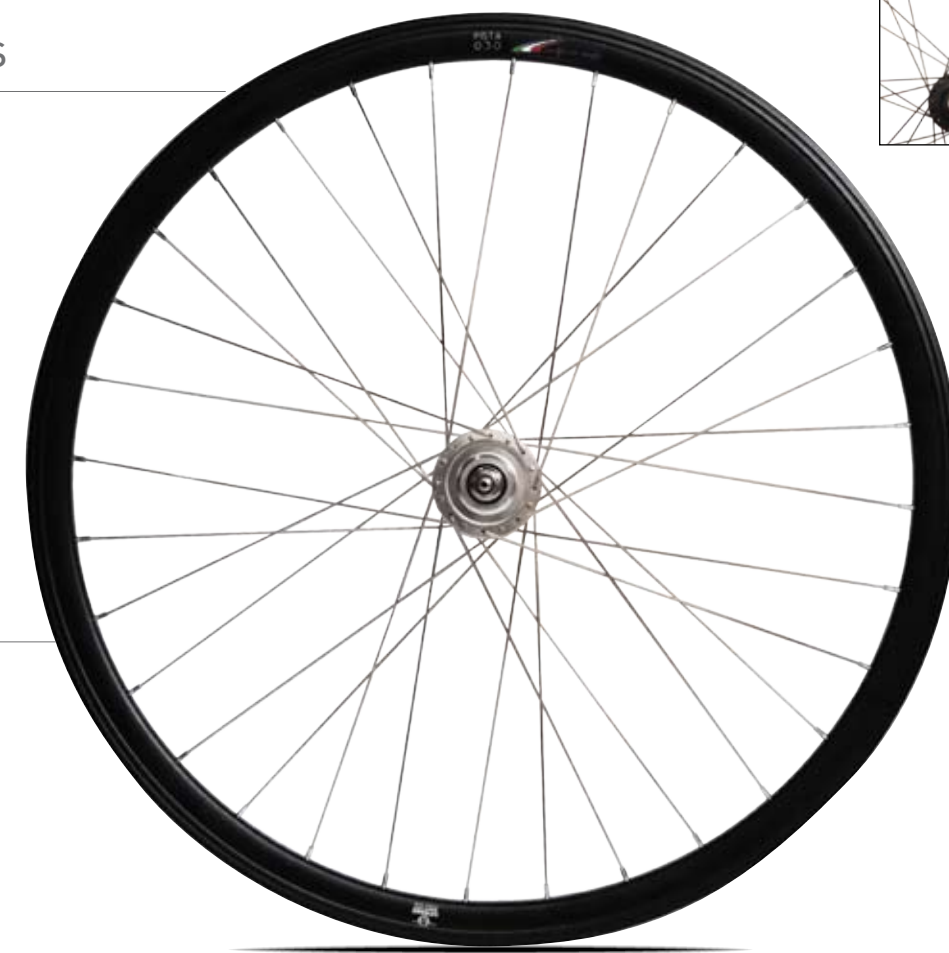
ROAD / TRACK / BIKE POLO / FREESTYLE (vers. 030) - ROAD / BIKE POLO (vers. FIXED)

Altri modelli sono disponibili nel sito web / Other model are available on the web site: www.gipiemme.com

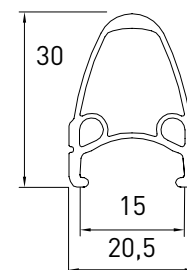
COLORI / COLORS

OPTIONAL V-BRAKE

- Nero/Black
- Verde/Green
- Bianco/White
- Silver satinato/Satin silver
- Blu/Blue
- Silver Brill
- Rosso/Red
- Arancio/Orange

OPTIONAL
POLISH / ANOD.

PROFILE



MODELLO	Copertoncino 28" 700 C		
ETRTO	622-15 din	O.L.D.	100/120
VERSIONI	P/P o P/RL		
CERCHIO	Alluminio 6005-T6, foro valvola 7 mm		
RAGGI	32 Inox silver.(Ver.Fixed 32 Standard Neri)		
NIPPLES	L 13 mm		
MOZZI	Alluminio forgiato, su cuscinetti		
BLOCCAGGI	N/P		
PESO	Ant. 1104 gr. - Post. 1156 gr. Tot. 2260 gr. (+/- 5%)		

MODEL	Clincher 28" 700 C		
ETRTO	622-15 din	O.L.D.	100/120
VERSIONS	T/T or T/FW		
RIM	Aluminium 6005-T6, valve hole 7 mm		
SPOKES	32 stainless steel (Ver.Fixed 32 steel Black)		
NIPPLES	L 13 mm		
HUB	Forged aluminium with sealed bearings		
Q.R.	N/P		
WEIGHT	Front 1104gr. - Rear 1156gr. Tot. 2260gr. (+/- 5%)		

CARBON G40 27,5" PLUS

XC / XM / MARATHON / X-TERRA / TRAIL / ENDURO
FREESTYLE / DOWNHILL

OPTIONAL

Ant/Front:

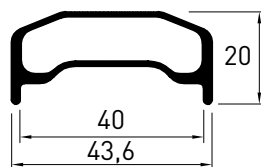
Lefty or T.Axel: 10mm, 15mm, 20mm
15x110 boost

Post/Rear:

12x142 OLD Rear Axle, Sram 11V
12x148 OLD boost



PROFILE



MODELLO	27,5" Tubeless Ready - mtb		
ETRTO	584-40 din	O.L.D.	A100/135 P135/142 /148
VERSIONI	Shimano/Sram	FINITURA	Fibra di carbonio
CERCHIO	Monoscocca 100% fibra di carbonio alto 20 mm		
RAGGI	32 Sapim Laser Inox sfinati		
NIPPLES	Autobloccanti ABS L 13 in Ergal con rondelle		
MOZZI	Versione GPMCHMTBDisc, alluminio forgiato, cassetta Ergal su cuscinetti		
BLOCCAGGI	N/P		
PESO	Ant. 781 gr. - Post. 817 gr. Tot. 1598 gr. (+/- 7%)		

MODEL	27,5" Tubeless Ready mtb		
ETRTO	584-40 din	O.L.D.	F:100/135 R:135/142 /148
VERSIONS	Shimano/Sram	FINISH	Carbon fiber
RIM	100% carbon fiber monocoque height 20X45 mm.		
SPOKES	32, Sapim laser, stainless steel spoke, double size		
NIPPLES	Self-locking ABS L 13 Ergal with washers		
HUB	GPMCHMTBDisc, forged aluminium with Ergal cassette on sealed bearings		
Q.R.	N/P		
WEIGHT	Front 781 gr. - Rear 817 gr. Tot. 1598 gr. (+/- 7%)		

CARBON G30 PLUS 27,5" /29"

XC / XM / MARATHON / X-TERRA / TRAIL / ENDURO / FREESTYLE / DOWNHILL (27,5")
XC / XM / MARATHON / X-TERRA (29")

OPTIONAL

Ant/Front:

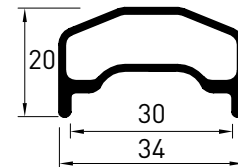
Lefty or T.Axel: 10mm, 15mm, 20mm
15x110 boost

Post/Rear:

12x142 OLD Rear Axle, Sram 11V
12x148 OLD boost



PROFILE



MODELLO	27,5" Tubeless Ready - mtb		
ETRTO	27,5" 584-30 din/29" 622-30 din	O.L.D.	A100/135 P135/142 /148
VERSIONI	Shimano/Sram	FINITURA	Fibra di carbonio
CERCHIO	Monoscocca 100% fibra di carbonio alto 20 mm		
RAGGI	32 Sapim Laser Inox sfinati		
NIPPLES	Autobloccanti ABS L 13 in Ergal con rondelle		
MOZZI	Versione GPMCHMTBDisc, alluminio forgiato, cassetta Ergal su cuscinetti		
BLOCCAGGI	N/P		
PESO	27,5" Ant. 736 gr. - Post. 772 gr. Tot. 1509 gr. (+/- 7%)		
PESO	29" Ant. 798 gr. - Post. 834 gr. Tot. 1632 gr. (+/- 7%)		

MODEL	27,5" Tubeless Ready mtb		
ETRTO	27,5" 584-30 din/29" 622-30 din	O.L.D.	F:100/135 R:135/142 /148
VERSIONS	Shimano/Sram	FINISH	Carbon fiber
RIM	100% carbon fiber monocoque height 20X45 mm.		
SPOKES	32, Sapim laser, stainless steel spoke, double size		
NIPPLES	Self-locking ABS L 13 Ergal with washers		
HUB	GPMCHMTBDisc, forged aluminium with Ergal cassette on sealed bearings		
Q.R.	N/P		
WEIGHT	27,5" Front 736 gr. - Rear 772 gr. Tot. 1509 gr. (+/- 7%)		
WEIGHT	29" Front 798 gr. - Rear 834 gr. Tot. 1632 gr. (+/- 7%)		

CARBON T584 MTB Ultralight 650B

XC / XM / MARATHON / X-TERRA / TRAIL / ENDURO (Tubless ready)

XC / XM / MARATHON / X-TERRA (Tubular)

OPTIONAL

Ant/Front:

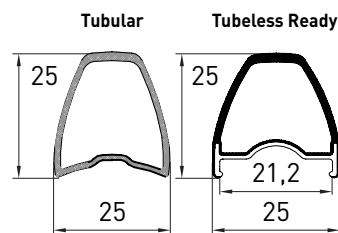
Lefty or T.Axel: 10mm, 15mm, 20mm
15x110 boost

Post/Rear:

12x142 OLD Rear Axel, Sram 11V
12x148 OLD boost



PROFILE



MODELLO	27,5" - mtb		
ETRTO	Tubolare 596-25 din	O.L.D.	100/135/142
ETRTO	Tubeless Ready.: 584-21,2 din	O.L.D.	100/135/142
VERSIONI	Shimano/Sram	FINITURA	Fibra di carbonio
CERCHIO	Monoscocca 100% fibra di carbonio alto 25 mm		
RAGGI	24 Sapim Laser Inox sfinati		
NIPPLES	Autobloccanti ABS L 13 in Ergal con rondelle		
MOZZI	Versione GPMCHMTBDisc, alluminio forgiato, cassetta Ergal su cuscinetti		
BLOCCAGGI	Alluminio forgiato peso al paio 110gr.		
PESO	Tubolare A. 601gr. - P. 686gr. Tot. 1287gr. (+/- 7%)		
PESO	Tubeless R.y A. 633gr. - P. 763gr. Tot. 1396gr. (+/- 7%)		

MODEL	27,5" - mtb		
ETRTO	Tubolare 596 - 25 din	O.L.D.	100/135/142
ETRTO	Tubeless Ready.: 584-21,2 din	O.L.D.	100/135/142
VERSIONS	Shimano/Sram	FINISH	Carbon fiber
RIM	100% carbon fiber monocoque height 25 mm, valve hole 6.5 mm		
SPOKES	24, Sapim laser, stainless steel spoke, double size		
NIPPLES	Self-locking ABS L 13 Ergal with washers		
HUB	GPMCHMTBDisc, forged aluminium with Ergal cassette on sealed bearings		
Q.R.	Forged aluminium - weight 110gr.		
WEIGHT	Tubular F. 601gr. - R. 686gr. Tot. 1287gr. (+/- 7%)		
WEIGHT	Tubeless R.Y F. 633gr. - R. 763gr. Tot. 1396gr. (+/- 7%)		

T29ER MTB ULTRALIGHT 29" Tubular/Tubeless Ready

XC / XM / MARATHON / X-TERRA / TRAIL / ENDURO (Tubless ready)

XC / XM / MARATHON / X-TERRA (Tubular)

OPTIONAL

Ant/Front:

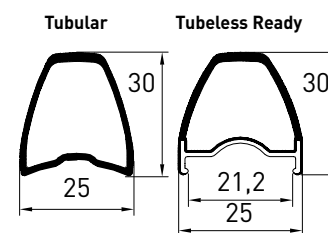
Lefty or T.Axel: 10mm, 15mm, 20mm
15x110 boost

Post/Rear:

12x142 OLD Rear Axel, Sram 11V
12x148 OLD boost



PROFILE



MODELLO	29" - mtb		
ETRTO	Tubolare 671-25 din	O.L.D.	100/135/142
ETRTO	Tubeless ready: 622-21,2 din	O.L.D.	100/135/142
VERSIONI	Shimano/Sram	FINITURA	Fibra di carbonio
CERCHIO	Monoscocca 100% fibra di carbonio alto 25 mm		
RAGGI	24 Sapim Laser Inox sfinati		
NIPPLES	Autobloccanti ABS L 13 in Ergal con rondelle		
MOZZI	Versione GPMCHMTBDisc, alluminio forgiato, cassetta Ergal su cuscinetti		
BLOCCAGGI	Alluminio forgiato peso al paio 110gr.		
PESO	Tubolare A.741 gr. - P. 777 gr. Tot. 1518 gr. (+/- 7%)		
PESO	Tubeless R.y A. 830 gr. - P. 867 gr. Tot. 1698 gr. (+/- 7%)		

MODEL	29" - mtb		
ETRTO	Tubolare 671 - 25 din	O.L.D.	100/135/142
ETRTO	Tubeless ready 622- 21,2 din	O.L.D.	100/135/142
VERSIONS	Shimano/Sram	FINISH	Carbon fiber
RIM	RIM 100% carbon fiber monocoque height 25 mm		
SPOKES	Sapim laser24 F/24 R, stainless steel spokes, double size		
NIPPLES	Self-locking ABS L 13 Ergal with washers		
HUB	GPMCHMTBDisc, forged aluminium with Ergal cassette on sealed bearings		
Q.R.	Forged aluminium - weight 110gr.		
WEIGHT	Tubular F 741 gr. - R 777 gr. Tot. 1518 gr. (+/- 7%)		
WEIGHT	Tubeless R.y F 830 gr. - R 867 gr. Tot. 1698 gr. (+/- 7%)		

MAG 40 PLUS 27,5"

XC / XM / MARATHON / X-TERRA / TRAIL / ENDURO
FREESTYLE / DOWNHILL

OPTIONAL

Ant/Front:

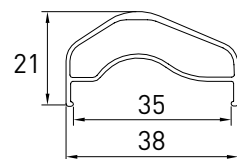
Lefty or T.Axel: 10mm, 15mm, 20mm
15x110 boost

Post/Rear:

12x142 OLD Rear Axle, Sram 11V
12x148 OLD boost



PROFILE



MODELLO	27,5" Tubeless Ready - mtb		
ETRTO	584-37 din / 622-37 din	O.L.D.	A100/135 P135/142 /148
VERSIONI	Shimano/Sram	FINITURA	Anodizzato nero
CERCHIO	Alluminio 6082-T6, Foro valvola 8,5mm		
RAGGI	32 Sapim Laser Inox sfinati		
NIPPLES	Autobloccanti ABS L 13 in Ergal con rondelle		
MOZZI	Versione GPMCHMTBDisc, alluminio forgiato, cassetta Ergal su cuscinetti		
BLOCCAGGI	N/P		
PESO	Tubeless R.y A. 884 gr. - P. 920 gr. Tot. 1803 gr. (+/- 7%)		

MODEL	27,5" Tubeless Ready - mtb		
ETRTO	584-37 din / 622-37 din	O.L.D.	A100/135 P135/142 /148
VERSIONS	Shimano/Sram	FINISH	Black anodize
RIM	Aluminium 6082-T6, Valve hole 8,5mm		
SPOKES	32, Sapim laser, stainless steel spoke, double size		
NIPPLES	Self-locking ABS L 13 Ergal with washers		
HUB	GPMCHMTBDisc, forged aluminium with Ergal cassette on sealed bearings		
Q.R.	N/P		
WEIGHT	Tubeless R.Y F. 884 gr. - R. 920 gr. Tot. 1803 gr. (+/- 7%)		

MAGMA ULTRALIGHT 27,5" 29"

XC / XM / MARATHON / X-TERRA / TRAIL / ENDURO (Tubeless ready)

OPTIONAL

Ant/Front:

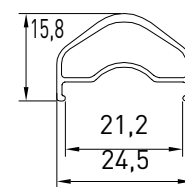
Lefty or T.Axel: 10mm, 15mm, 20mm
15x110 OLD boost

Post/Rear:

12x142 OLD Rear Axle, Sram 11V
12x148 OLD boost



PROFILE



MODELLO	27,5" /29" mtb Tubeless ready		
ETRTO	27,5" 584-21 din	O.L.D.	100/135/142
ETRTO	29" 622-21 din	O.L.D.	100/135/142
VERSIONI	Shimano/Sram	FINITURA	Anodizzata nera
CERCHIO	Alluminio 6082-T6 saldato		
RAGGI	Sapim laser 32 inox sfinati		
NIPPLES	Autobloccanti ABS L 13 in ergal		
MOZZI	Versione GPMKCHMTBDisc, alluminio forgiato, cassetta Ergal su cuscinetti		
BLOCCAGGI	Alluminio forgiato peso al paio 110gr.		
PESO	27,5" A. 683gr. - P. 836gr. Tot. 1519gr. (+/- 5% senza qr)		
PESO	29" A. 707gr. - P. 866gr. Tot. 1572gr. (+/- 5% senza qr)		

MODEL	Tubeless ready 27,5"/29" mtb		
ETRTO	27,5" 584-21 din	O.L.D.	100/135/142
ETRTO	29" 622-21 din	O.L.D.	100/135/142
VERSIONS	Shimano/Sram	FINISH	Black anodized
RIM	Aluminium welded 6082-T6		
SPOKES	Sapim laser 32 stainless steel aero-spoke, double size		
NIPPLES	Self-locking ABS L 13 Ergal		
HUB	GPMKCHMTBDisc, forged aluminium with Ergal cassette on sealed bearings		
Q.R.	Forged aluminium - weight 110gr.		
WEIGHT	27,5" F. 683gr. - R. 836gr. Tot. 1519gr. (+/- 5% without qr)		
WEIGHT	29": F. 707gr. - R. 866gr. Tot. 1572gr. (+/- 5% without qr)		

MAG 37 PLUS 27,5" 29"

XC / XM / MARATHON / X-TERRA / TRAIL / ENDURO / FREESTYLE / DOWNHILL (27,5")
XC / XM / MARATHON / X-TERRA (29")

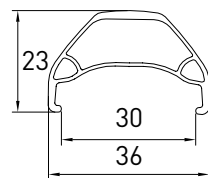
OPTIONAL

Ant/Front:
Lefty or T.Axel: 10mm, 15mm, 20mm
15x110 OLD boost

Post/Rear:
12x142 OLD Rear Axel, Sram 11V
12x148 OLD boost



PROFILE



MODELLO	27,5" Tubeless Ready - mtb		
ETRTO	27,5" 584-30 din	O.L.D.	A100/135 P135/142 /148
ETRTO	29" 622-30 din	O.L.D.	A100/135 P135/142 /148
VERSIONI	Shimano/Sram	FINITURA	Anodizzata nera al laser
CERCHIO	Alluminio 6063-T6, Foro valvola 8,5mm		
RAGGI	32 Sapim Laser Inox sfinati		
NIPPLES	Autobloccanti ABS L 13 in Ergal con rondelle		
MOZZI	Versione GPMCHMTBDisc, alluminio forgiato, cassetta Ergal su cuscinetti		
BLOCCAGGI	N/P		
PESO	27,5" A. 1047gr. - P. 1083gr. Tot. 2130gr. (+/- 5% senza bloccaggi)		
PESO	29" A. 1091gr. - P. 1127gr. Tot. 2217gr. (+/- 5% senza bloccaggi)		

MODEL	27,5" Tubeless Ready - mtb		
ETRTO	27,5" 584-30 din	O.L.D.	A100/135 P135/142 /148
ETRTO	29" 622-30 din	O.L.D.	A100/135 P135/142 /148
VERSIONS	Shimano/Sram	FINISH	Black anodize with laser
RIM	Aluminium 6082-T6, Valve hole 8,5mm		
SPOKES	32, Sapim laser, stainless steel spoke, double size		
NIPPLES	Self-locking ABS L 13 Ergal with washers		
HUB	GPMCHMTBDisc, forged aluminium with Ergal cassette on sealed bearings		
Q.R.	N/P		
WEIGHT	27,5" F. 1047gr. - R. 1083gr. Tot. 2130gr. (+/- 5% without quick release)		
WEIGHT	29": F. 1091gr. - R. 1127gr. Tot. 2217gr. (+/- 5% without quick release)		

KENYA SLE Copertoncino 26" 27,5" 29"

XC / XM / MARATHON / TRAIL

Altri modelli sono disponibili nel sito web / Other model are available on the web site: www.gipiemme.com

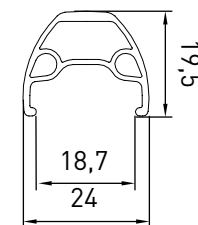
OPTIONAL

Tubeless Ready
Ant/Front:
Lefty, 15mm Axel, 20mm Axel
15x110 OLD boost

Post/Rear:
12x142OLD rear Axel, Sram 11V
12x148 OLD boost



PROFILE

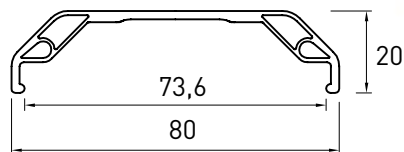


MODELLO	Copertoncino 26" -27.5" -29" mtb		
ETRTO	26"-559, 27.5"-584, 9"-622 17din	O.L.D.	100/135/142
VERSIONI	Shimano/Sram	FINITURA	Anodizzata nera
CERCHIO	Alluminio 6005-T6		
RAGGI	26" 24Inox/ 27,5"-29" 32 inox - Sapim Leader		
NIPPLES	Autobloccanti ABS L 13		
MOZZI	Alluminio forgiato, cassetta Ergal su cuscinetti		
BLOCCAGGI	Alluminio forgiato peso al paio 110gr.		
PESO	27,5" A. 922gr. - P. 990gr. Tot. 1912gr. (+/- 5% senza bloccaggi)		
PESO	29" A. 962gr. - P. 1034gr. Tot. 1996gr. (+/- 5% senza bloccaggi)		

MODEL	Clincher 26" -27.5" -29" mtb		
ETRTO	26"-559, 27.5"-584, 9"-622 17din	O.L.D.	100/135/142
VERSIONS	Shimano/Sram	FINISH	Black anodized
RIM	Aluminium welded 6082-T6, valve hole 6.5 mm		
SPOKES	26" 24Inox/ 27,5"-29" 32 inox - Sapim Leader		
NIPPLES	Self-locking ABS L 13		
HUB	Forged aluminium with Ergal cassette on sealed bearings		
Q.R.	Forged aluminium - weight 110gr.		
WEIGHT	27,5" F. 922gr. - R. 990gr. Tot. 1912gr. (+/- 5% without quick release)		
WEIGHT	29": F. 962gr. - R. 1034gr. Tot. 1996gr. (+/- 5% without quick release)		

MAGNUS 80 26"

XC / XM / MARATHON / TRAIL

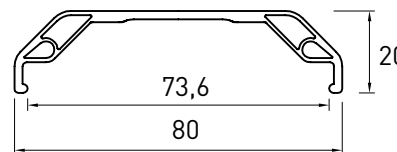
**PROFILE**

MODELLO	Copertoncino 26" -27.5" -29" mtb		
ETRTO	26"-559din	O.L.D.	150/177 - 150/197
VERSIONI	Shimano/Sram	FINITURA	Anodizzata nera
CERCHIO	Alluminio 6005-T6		
RAGGI	26" - 32 inox - Sapim Leader		
NIPPLES	Autobloccanti ABS L 13		
MOZZI	Alluminio forgiato, cassetta Ergal su cuscinetti		
BLOCCAGGI	Alluminio forgiato peso al paio 110gr.		
PESO	26" OLD177 A. 1444gr. - P. 1577gr. Tot. 3021gr. (+/- 5% senza bloccaggi)		
PESO	26" OLD197 A. 1444gr. - P. 1672gr. Tot. 3116gr. (+/- 5% senza bloccaggi)		

MODEL	Clincher 26" -27.5" -29" mtb		
ETRTO	26"-559din	O.L.D.	150/177 - 150/197
VERSIONS	Shimano/Sram	FINISH	Black anodized
RIM	Aluminium welded 6082-T6, valve hole 6.5 mm		
SPOKES	26" - 32 inox - Sapim Leader		
NIPPLES	Self-locking ABS L 13		
HUB	Forged aluminium with Ergal cassette on sealed bearings		
Q.R.	Forged aluminium - weight 110gr.		
WEIGHT	26" OLD177 F. 1444gr. - R. 1577gr. Tot. 3021gr. (+/- 5% without quick release)		
WEIGHT	26" OLD177 F. 1444gr. - R. 1672gr. Tot. 3116gr. (+/- 5% without quick release)		

MAGNUS 80 26" EQUIPE

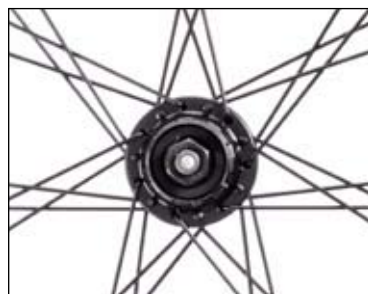
XC / XM / MARATHON / TRAIL (29")

**PROFILE**

MODELLO	26" / 24" / 20" - mtb		
ETRTO	559-74 din	O.L.D.	A135 P177
ETRTO	507-74 din	O.L.D.	A135 P177
ETRTO	406-74 din	O.L.D.	A135 P177
VERSIONI	Shimano/Sram/Freewheel	FINITURA	Verniciato nero
CERCHIO	Alluminio 6063-T6, Foro valvola 8,5mm		
RAGGI	32 raggi neri		
NIPPLES	standard		
MOZZI	Disc, alluminio forgiato su sfere.		
BLOCCAGGI	N/P		

MODEL	26" / 24" / 20" - mtb		
ETRTO	559-74 din	O.L.D.	A135 P177
ETRTO	507-74 din	O.L.D.	A135 P177
ETRTO	406-74 din	O.L.D.	A135 P177
VERSIONS	Shimano/Sram/Freewheel	FINISH	Paint black
RIM	Aluminium 6082-T6, Valve hole 8,5mm		
SPOKES	32, steel black spoke		
NIPPLES	standard		
HUB	Forged aluminium with Ergal cassette loseball		
Q.R.	N/P		

T2-40S



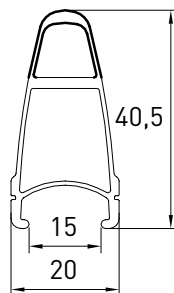
OPTIONAL

Shimano 11S Sfere / Loseball
Raggi inox / Inox spokes

Mozzo sfere
Seal bearings hubs



PROFILE



MODELLO	Copertoncino 28" 700 C		
ETRTO	622-13,5 din	O.L.D.	SH/CA 100/130 - FW 100/135
VERSIONI	Shimano, Campagnolo, filetto	FINITURA	Verniciata nera
CERCHIO	Alluminio 6005-T6, foro valvola 6,5 mm		
RAGGI	Ant./Post. n.28 inc. T2		
NIPPLES	Standard		
MOZZI	Alluminio forgiato		
BLOCCAGGI	Acciaio		

MODEL	Clincher 28" 700 C		
ETRTO	622-13,5 din	O.L.D.	SH/CA 100/130 - FW 100/135
VERSIONS	Shimano, Campagnolo, Freewheel	FINISH	Paint black
RIM	Aluminium, valve hole 6,5 mm		
SPOKES	28 Front/Rear cross by T2		
NIPPLES	Standard		
HUB	Forged aluminium		
Q.R.	Steel		

T2-30S



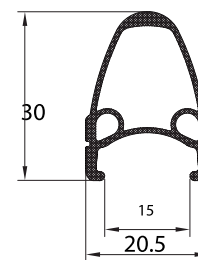
OPTIONAL

Shimano 11S Sfere / Loseball
Raggi inox / Inox spokes

Mozzo sfere
Seal bearings hubs



PROFILE



MODELLO	Copertoncino 28" 700		
ETRTO	622-13.5 din	O.L.D.	SH/CA 100/130 - FW 100/135
VERSIONI	Shimano, Campagnolo, filetto	FINITURA	Verniciata bianco/nera
CERCHIO	Alluminio 6005-T6, foro valvola 6.5 mm		
RAGGI	Standard Neri		
NIPPLES	Standard		
MOZZI	Alluminio forgiato		
BLOCCAGGI	Alluminio		

MODEL	Clincher 28" 700		
ETRTO	622-13.5 din	O.L.D.	SH/CA 100/130 - FW 100/135
VERSIONS	Shimano, Campagnolo, Freewheel	FINISH	White/black painted
RIM	Aluminium 6005-T6, valve hole 6.5 mm		
SPOKES	Black standard		
NIPPLES	Standard		
HUB	Forged aluminium		
Q.R.	Aluminium		

EQUIPE ROCCIA 26" 27,5" 29"

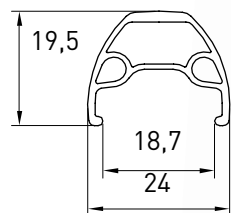


OPTIONAL

Raggi inox / Inox spokes



PROFILE



MODELLO	Copertoncino 26" 27,5" 29" mtb		
ETRTO	26" 559 - 27,5" 584 - 19 din	O.L.D.	100/135
VERSIONI	Shimano	FINITURA	Nero lucido con etichette
CERCHIO	Alluminio 6005-T6		
RAGGI	Standard		
NIPPLES	Standard		
MOZZI	Alluminio Forgiato, cassetta e perno in Acciaio su cuscinetti		
BLOCCAGGI	Alluminio forgiato peso al paio 110gr.		

MODEL	Clincher 26" mtb		
ETRTO	26" 559 - 27,5" 584 - 17 din	O.L.D.	100/135
VERSIONS	Shimano, Campagnolo, Freewheel	FINISH	Shining Black with sticker
RIM	Aluminium welded 6082-T6, valve hole 6.5 mm		
SPOKES	Standard		
NIPPLES	Standard		
HUB	Forged Alloy, steel cassette and axel		
Q.R.	Forged aluminium - Weight 110gr.		

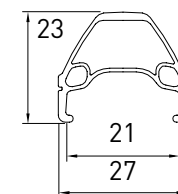
T2-24L V-BRAKE 26" 28"
MTB Filetto / Cassetta

OPTIONAL

Raggi inox / Inox spokes

Mozzo sfere
Seal bearings hubs

PROFILE



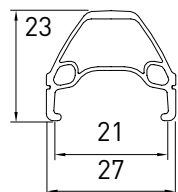
MODELLO	Copertoncino 28", 26"		
ETRTO	28" 622/ 26" 559 - 19.5 din	O.L.D.	100/135
VERSIONI	Shimano, filetto	FINITURA	Verniciata nera
CERCHIO	Alluminio, foro valvola 8.5 mm		
RAGGI	Standard Neri		
NIPPLES	Standard		
MOZZI	Alluminio forgiato		
BLOCCAGGI	Acciaio		

MODEL	Clincher 28", 26"		
ETRTO	28" 622/ 26" 559 - 19.5 din	O.L.D.	100/135
VERSIONS	Shimano, freewheels	FINISH	Black painted
RIM	Aluminium, valve hole 8.5 mm		
SPOKES	Black standard		
NIPPLES	Standard		
HUB	Forged aluminium		
Q.R.	Steel		

T2-24L DISC 26" 29"



PROFILE



MODELLO	Copertoncino 26" MTB / 29" MTB		
ETRTO	26" 559- 27,5" 584- 29" 622 / 19 din	O.L.D.	100/135
VERSIONI	Filetto, Shimano, disco	FINITURA	Nera
CERCHIO	Alluminio, foro valvola 8.5 mm		
RAGGI	Standard Neri		
NIPPLES	Standard		
MOZZI	Alluminio forgiato		
BLOCCAGGI	Acciaio		

MODEL	Clincher 26" MTB / 24" MTB		
ETRTO	26" 559- 27,5" 584- 29" 622/19 din	O.L.D.	100/135
VERSIONS	Shimano disc	FINISH	Black
RIM	Aluminium, valve hole 8.5 mm		
SPOKES	Black standard		
NIPPLES	Standard		
HUB	Forged aluminium		
Q.R.	Steel		

CERCHI / RIMS

H 6.0 TUBOLARE 28"
 Tubolare/Tubular
 Dimensioni/Size:
 28"-Etrto 632-21Din
 h 60mm-L21mm
 Materiale/Material:
 100% Fibra Carbonio
 Fori a richiesta/Holes on request
 Peso/Weight: 480gr.

H 4.0 ALUCARBON 28"
 H 4.0 Copert. AluCarbon Copertoncino/
 Clincher
 Dimensioni/Size:
 28"-Etrto 622/13,5Din
 h 40mm-L 19mm
 Materiale/Material:
 Alluminio 6082T6 e Fibra Di Carbonio
 Alloy 6082T6 with Carbon Fiber
 Fori a richiesta/Holes on request
 Peso/Weight: 540gr.

H 5.5 ALUCARBON 28"
 H 5.5 Copert. AluCarbon Copertoncino/
 Clincher
 Dimensioni/Size:
 28"-Etrto 622/13,5Din-h
 55mm-L 19mm
 Materiale/Material:
 Alluminio 6082T6 e Fibra Di Carbonio
 Alloy 6082T6 with Carbon Fiber
 Fori a richiesta/Holes on request
 Peso/Weight: 540 gr.

GPMH 32"
 Copertoncino/Clincher
 Dimensioni/Size:
 28"-Etrto 622 16Din
 h 32mm-L21mm
 Materiale/Material:100% Fibra di
 Carbonio/Carbon Fibre
 Fori a richiesta/Holes on request
 Peso/Weight: 470 gr.

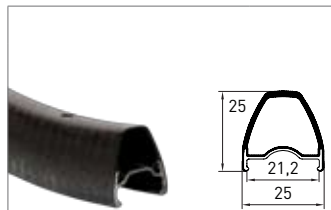
H 4.7 COPERT. 28"
 Copertoncino/Clincher
 Dimensioni/Size:
 28"-Etrto 622 16DIN
 h 47mm-L21 mm
 Materiale/Material:
 100% Fibra di Carbonio
 Carbon Fibre
 Fori a richiesta/Holes on request
 Peso/Weight: 500 gr.

H 2.5 TUBOLARE
 Tubolare/Tubular
 Dimensioni/Size:
 28"-Etrto 632-21Din
 h24.9mm-L22mm
 Materiale/Material:
 100% Fibra di Carbonio
 Carbon Fibre
 Fori a richiesta/Holes on request
 Peso/Weight: 320gr.

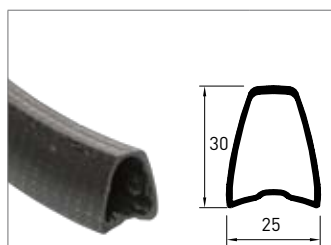
H 4.0 TUBOLARE 28"
 Tubolare/Tubular
 Dimensioni/Size:
 28"-Etrto 632-21Din
 h40,5mm-L21mm
 Materiale/Material:
 100% Fibra di Carbonio
 Carbon Fibre
 Fori a richiesta/Holes on request
 Peso/Weight: 440gr.

T584 MTB TUBULAR 27,5"
 Tubolare/Tubular
 Dimensioni/Size:
 27,5-650B" Mtb-Etrto
 596-25Din-h 25mm
 Materiale/Material:
 100% Fibra Carbonio
 100% Carbon Fiber
 Fori a richiesta/Holes on request
 Peso/Weight: 350gr.

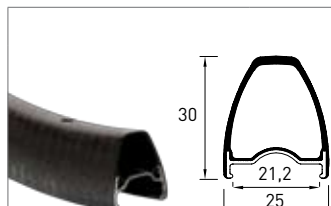
CERCHI / RIMS



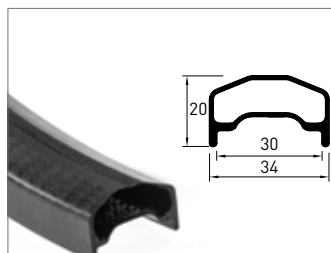
T584 MTB TUBELESS READY 27,5"
Copertoncino/Clincher-Tubeless
Dimensioni/Size:
27,5-650B" Mtb-Etrto 584 17Din-h
25mm-L 25mm
Materiale/Material:
Alluminio 6082T6 Fibra Di Carbonio
Alloy 6082T6 with Carbon Fiber
Fori a richiesta/Holes on request
Peso/Weight: 425gr.



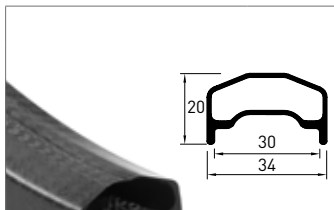
T29ER MTB TUBOLARE 29
Tubolare/Tubular
Dimensioni/Size:
27,5" Etrto 632-25 Din
Etrto 622 / 21,2Din-h
16mm-L 30mm
Materiale/Material:
Alluminio 6082T6/Alloy 6082T6
Fori/Holes: 32
Peso/Weight: 388gr.



T29ER MTB TUBELESS READY 29
Copert./Clincher
Dimensioni/Size:
27,5" Etrto 584-29"
Etrto 622 / 21,2Din
h16mm-L 30mm
Materiale/Material:
Alluminio 6082T6/Alloy 6082T6
Fori/Holes: 32
Peso/Weight: 455gr.



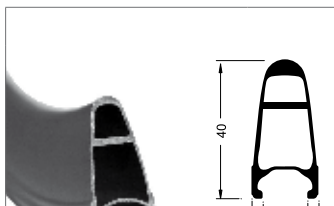
G30 29" MTB
Copert./Clincher
Dimensioni / Size:
29" Etrto 622 / 30 Din
h20mm - L 37 mm
Materiale / Material:
100% Fibra di Carbonio/Carbon Fibre
Fori a richiesta/Holes on request
Peso / Weight: 460Gr.



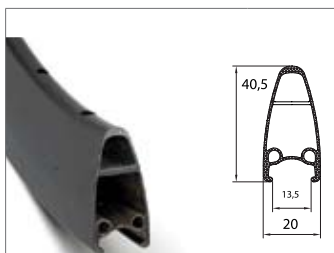
G30 27,5" MTB
Copert./Clincher
Dimensioni / Size:
27" Etrto 559 / 30 Din
h20mm - L 37 mm
Materiale / Material:
100% Fibra di Carbonio
Carbon Fibre
Fori a richiesta/Holes on request
Peso / Weight: 420Gr.



G40 27,5" MTB
Copert./Clincher
Dimensioni / Size:
27,5" Etrto 559 / 40 Din
h20mm - L 47 mm
Materiale / Material:
100% Fibra di Carbonio
Carbon Fibre
Fori a richiesta/Holes on request
Peso / Weight: 440Gr.

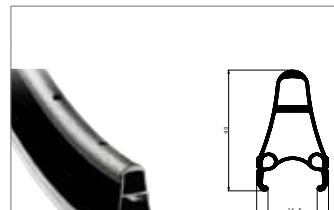


716 28"
Copertoncino/Clincher
Dimensioni/Size:
28"-Etrto 622/ 13,5Din/26"-Etrto 571
Materiale/Material:
Lega Di Alluminio/Aluminium Alloy
Fori/Holes: 16 (8x2) 20 Std-32 -36
Peso/Weight: 663gr.

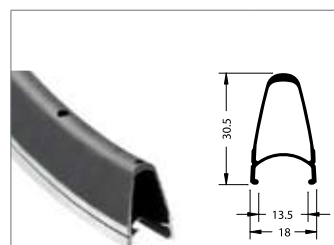


A40 26" 28"
Copertoncino/Clincher
Dimensioni/Size:
28"-Etrto 622/13,5Din
h 40,5mm-L 19mm
Materiale/Material:
Alluminio 6005T6/Alloy 6005T6
Fori/Holes: 32-36
Peso/Weight: 745gr.

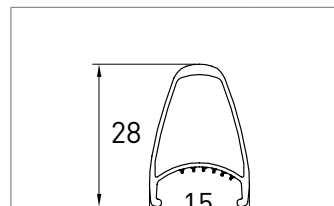
CERCHI / RIMS



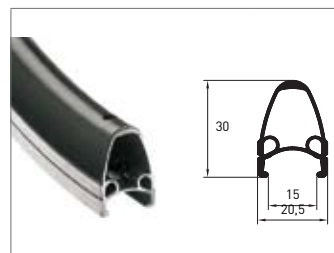
T40-RAKTOR 26" 28"
Copertoncino/Clincher
Dimensioni/Size: h 40mm-L 23mm
26"-Etrto 559/16,5 Din
28"-Etrto 622/16,5 Din
Materiale/Material:
Alluminio 6005T6/Alloy 6005T6
Fori/Holes: 26": 32-36/28": 32-36
Peso/Weight: 28": 840gr.



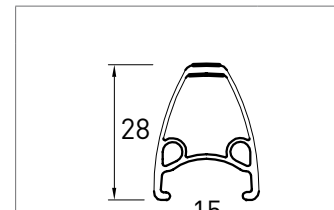
1.55 28"
Copertoncino/Clincher
Dimensioni/Size:
28"-Etrto 622/13,5Din
h 30mm-L 18mm
Materiale/Material:
Alluminio 6082T6/Alloy 6082T6
Fori/Holes: 20 - 24
Peso/Weight: 465gr.



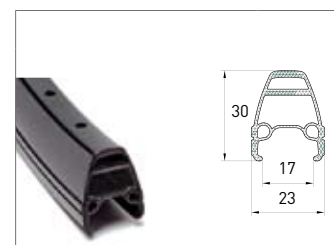
1.55 DISC ROAD 28"
Copertoncino/Clincher
Dimensioni/Size:
28"-Etrto 622/13,5Din
h 30mm-L 18mm
Materiale/Material:
Alluminio 6082T6/Alloy 6082T6
Fori/Holes: 20 - 24
Peso/Weight: 465gr.



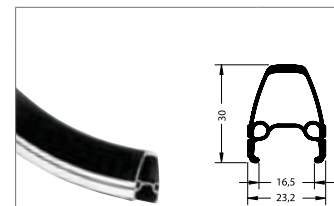
030C 28"
Copertoncino/Clincher
Dimensioni/Size:
28"-Etrto 622/15Din
h 30mm-L19mm
Materiale/Material:
Alluminio 6005T6/Alloy 6005T6
Fori/Holes: 32/36/20
Peso/Weight: 655gr.



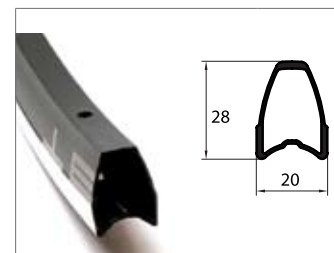
028 DISC 28"
Copertoncino / Clincher
Dimensioni / Size:
28" Etrto 622 / 15 Din
h 30mm - L 23mm
Materiale / Material:
Alluminio 6005T6/ Alloy 6005T6
Fori / Holes: 24 - 32 - 36
Peso/Weight: 620gr.



TT-ELETTRIC 26" 27,5" 28" 29"
Copertoncino/Clincher
Dimensioni/Size:
28"29" Etrto 622-27,5" Etrto 584-26"
Etrto 559/17Din h 30mm-L 23mm
Materiale/Material:
Alluminio 6005T6/Alloy 6005T6
Fori/Holes: Personalizzato Q.tà
Customize Q.ty
Peso/Weight: 788gr.



T30L THUNDER 26" 27,5" 28" 29"
Copertoncino/Clincher
Dimensioni/Size:
28"29" Etrto 622-27,5"
Etrto 584 -26" Etrto 559/16,5Din
h 30mm-L 23,2mm
Materiale/Material:
Alluminio 6005T6/Alloy 6005T6
Fori/Holes: Personalizzato Q.tà
Customize Q.ty
Peso / Weight: 590gr.

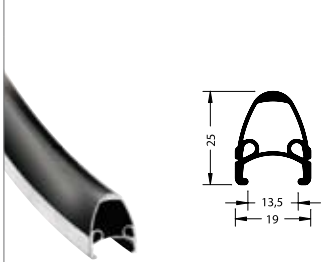


KRONO 28"
Tubolare/Tubular
Dimensioni/Size:
28"-Etrto 632/13,5Din
Materiale/Material:
Lega Di Alluminio
Aluminium Alloy
Fori/Holes: 20-24
Peso/Weight: 420gr.

CERCHI / RIMS

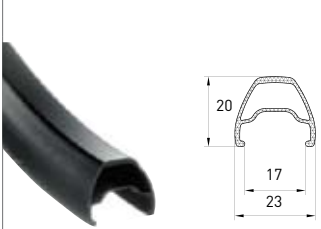
024 20"24"26"28"

Copertoncino/Clincher
 Dimensioni/Size: h 25mm-L 19mm
 28" -Etrto 622/13,5Din/26" - Etrto 559/16,5Din
 24" -Etrto 540/18Din/20" -Etrto 520/18Din
 Materiale/Material: Alluminio 6005T6/Alloy 6005T6
 Fori/Holes: 32/36
 Peso/Weight: 540gr.



KENYA 26"

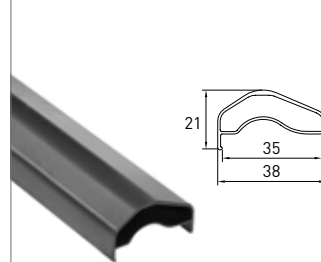
Copertoncino
 Clincher
 Dimensioni / Size: 29" Etrto622 / 17 Din - h 20 mm L 23 mm
 Materiale / Material: Alluminio 6082T6 / Alloy 6082T6
 Fori / Holes: 32
 Peso / Weight: 380 Gr.



CERCHI / RIMS

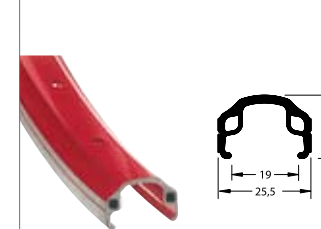
MAG40 PLUS MTB 27,5" 29"

Copertoncino/ Clincher / Tubeless ready
 Dimensioni / Size: 27,5" Etrto 584 - 29" Etrto 622 / 37 Din - h 20mm - L 40 mm
 Materiale / Material: Alluminio 6082T6 / Alloy 6082T6
 Fori / Holes: 32
 Peso / Weight: 27,5" 505 Gr. - 29" 545Gr.



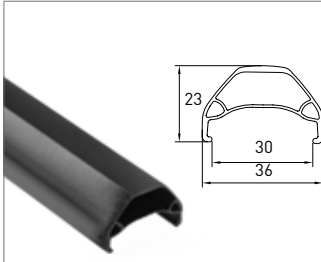
ERCULES 29"28"27,5"26"24"20"

Dimensioni/Size:
 24"-Etrto 507/26" -Etrto 559/19Din
 26" 1 3/8-Etrto 590/28" -Etrto 622/19Din
 h 18mm-L 25,5mm
 Materiale/Material: Alluminio/Alloy 6060T6
 Fori/Holes: 24"-26"-26"1 3/8-28":36



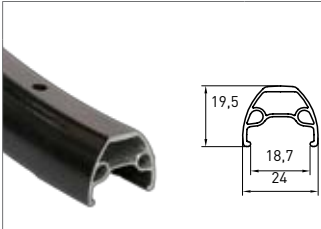
N30PLUS 20"24"26"27,5"28"29"

Copertoncino / Clincher
 Dimensioni / Size: h 23 mm - L 37 mm
 20" Etrto406 - 24" Etrto507 - 26" Etrto559
 27,5" Etrto584 - 29"28" Etrto 622 / 30Din
 Materiale / Material: Alluminio 6063T6 / Alloy 6063T6
 Fori / Holes: 32
 Peso / Weight: 27,5" 565gr - 29" 635gr



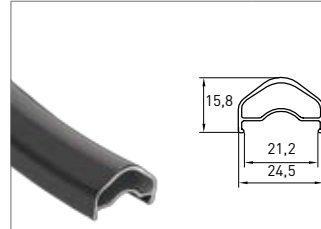
URAL 27,5" 28" 29"

Copertoncino/Clincher
 Dimensioni/Size: h 19,5mm-L 24mm
 26" Etrto559-27,5"Etrto584
 29" 28" Etrto622/20Din
 Materiale/Material: Alluminio 6005T6/Alloy 6060T6
 Fori/Holes: 32
 Peso/Weight: 27,5" 500gr.-29" 523gr.



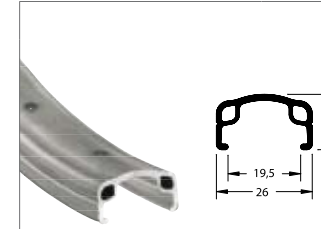
MAGMA MTB 27,5" 29"

Tubeless ready
 Dimensioni/Size:
 27,5" Etrto 584-29"
 Etrto 622/21,2 Din-h 15,8mm-L 24,5mm
 Materiale/Material: Alluminio 6082T6/Alloy 6082T6
 Fori/Holes: 32
 Peso/Weight: 27,5" 320gr.-29" 340gr.



MIRAGE

Dimensioni/Size:
 20"-Etrto 406/24" - Etrto 507
 26"-Etrto 559/26" 1 3/8-Etrto 590
 28"-Etrto 622/19,5Din
 h 15mm-L 26mm
 Materiale/Material: Alluminio/Alloy 6060T6
 Fori/Holes: 20":28-36
 24"-26"-26 13/8:36



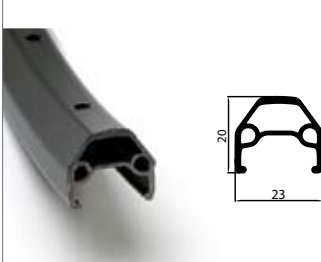
NEPAL 20"24"26"27,5"28"29"

Copertoncino/Clincher
 Dimensioni/Size: h 23mm-L 24mm
 20" Etrto406-24" Etrto507-26" Etrto559
 27,5" Etrto584-29"28" Etrto622/21Din
 Materiale/Material: Alluminio 6005T6/Alloy 6060T6
 Fori/Holes: 32
 Peso/Weight: 27,5" 500gr.-29" 523gr.



ROCCIA 26"27,5" 28" 29"

Copertoncino/Clincher
 Dimensioni/Size: h 20mm-L 23mm
 26" Etrto559-27,5" Etrto584
 29"28" Etrto622/18Din
 Materiale/Material: Alluminio 6005T6/Alloy 6060T6
 Fori/Holes: 32
 Peso/Weight: 490gr.



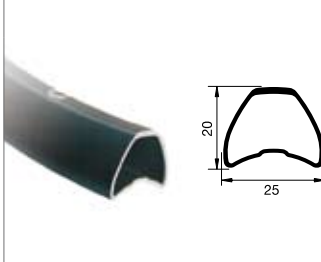
NISI SLUDI 390

Copertoncino
 Clincher
 Dimensioni / Size:
 28" Etrto 622 / 13,5 Din
 h 16mm - L 20 mm
 Materiale / Material: Alluminio 6082T6 / Alloy 6082T6
 Fori / Holes: 32
 Peso / Weight: 390Gr.



KENYA TUBULAR 26" 27,5" 29"

Tubolare/Tubular
 Dimensioni/Size:
 26" Mtb-Etrto571-27,5" Etrto596-29"
 Etrto632/25Din-h 20mm-L 25mm
 Materiale/Material: Alluminio 6082T6/Alloy 6082T6
 Fori/Holes: (26") 24-28/(27,5/29") 32
 Peso/Weight: 380gr.



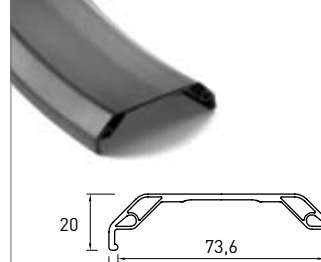
032S 28"

Copertoncino/Clincher
 Dimensioni/Size:
 28" -Etrto 622/14 Din h 18mm-L 20mm
 Materiale/Material: Alluminio 6005T6/Alloy 6005T6
 Fori/Holes: 32-36
 Senza Boccole/Without Eyelets
 Peso/Weight: 450gr.



MAGNUS PLUS MTB 20" 24" 26"

Copertoncino/ Clincher
 Tubeless ready
 Dimensioni / Size: h 20 mm - L 80 mm
 20" Etrto406 - 24" Etrto507
 26" Etrto559 - 74Din
 Materiale / Material: Alluminio 6063T6 / Alloy 6063T6
 Fori / Holes: 32/36
 Peso / Weight: 1000gr.



ACCESSORI / ACCESSORIES



Sella Cobra / Cobra Saddles
Peso / Weight 137 gr.



Sella Pluma / Pluma Saddles
Peso / Weight 150 gr.

ACCESSORI / ACCESSORIES



Grasso speciale Gipiemme, antiacqua
Waterproof Special grease



Espositore ruote
Display for wheels



Borsa per ruote
Wheels bag



Chiavi nipples a farfalla
Carbon fibre Nipple Wrench



Chiavi nipples a tubo
Hexagonal nipples key



Ferमारaggi CX-Ray sapim
Cx/CX-Ray Key



Pattini freni per carbonio
Carbon fibre brake pad



Kit Tubeless
Tubeless Kit



Prolunghe valvola Waterproof Special
Extend long valve



GIPIEMME SRL

Via Salute, 34/1
36028 Rossano Veneto (VI), Italy

Stabilimento/Work Address

Via Balbi, 13
31037 Loria (TV), Italy
Tel. +39 0423.755.939
Fax +39 0423.755.022

gipiemme@gipiemme.com
www.gipiemme.com
www.cerchinisi.it
www.cerchinisi.com